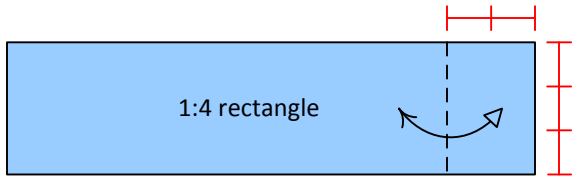
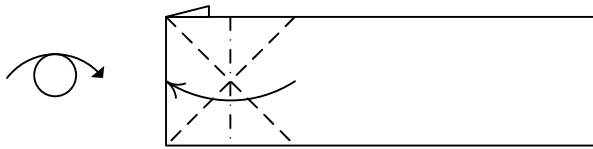


I Am With Her

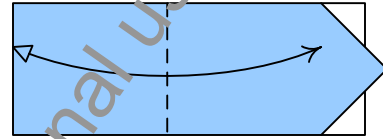
Folding sequence © October 2016 Meenakshi Mukerji, www.origamee.net



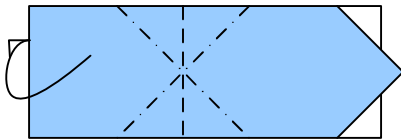
Crease about 2/3 of width



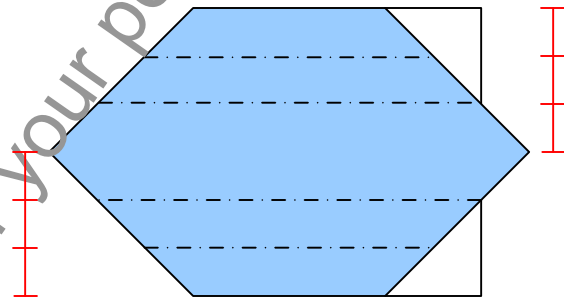
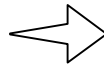
Waterbomb



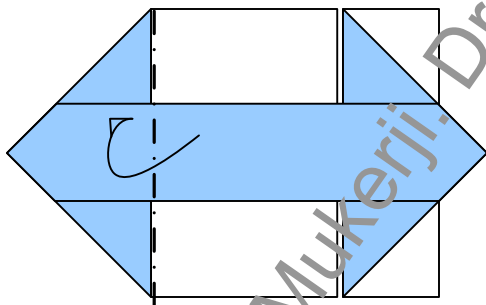
Fold to base of triangle and unfold



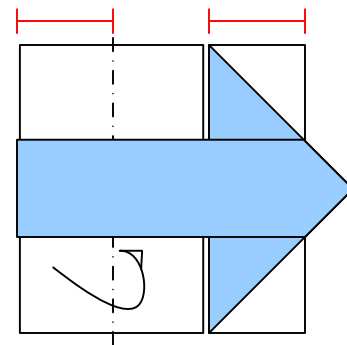
Waterbomb



Narrow the hexagon



Fold back all layers



Fold layers behind arrow.
Flatten under heavy books overnight.

I Am With Her

